

PARKER AUTOMATION CONTROLLER (PAC) TRAINING

The Parker Automation Controller (PAC) combines advanced logic, signal handling, multi-axis motion (camming, gearing, robotics, and CNC), IEC61131 programming, and visualization into one performance-driven solution.

This training will be led by our product specialist, Pete Archer. Cost is \$295 per student.

Agenda:

PAC Configuration, Commissioning, IEC 61131-3 Programming, Web Visualization HMI, IO Modules, EtherCAT, Connectivity, Ladder, Structured Text, CFC, SFC, FBD, and IL

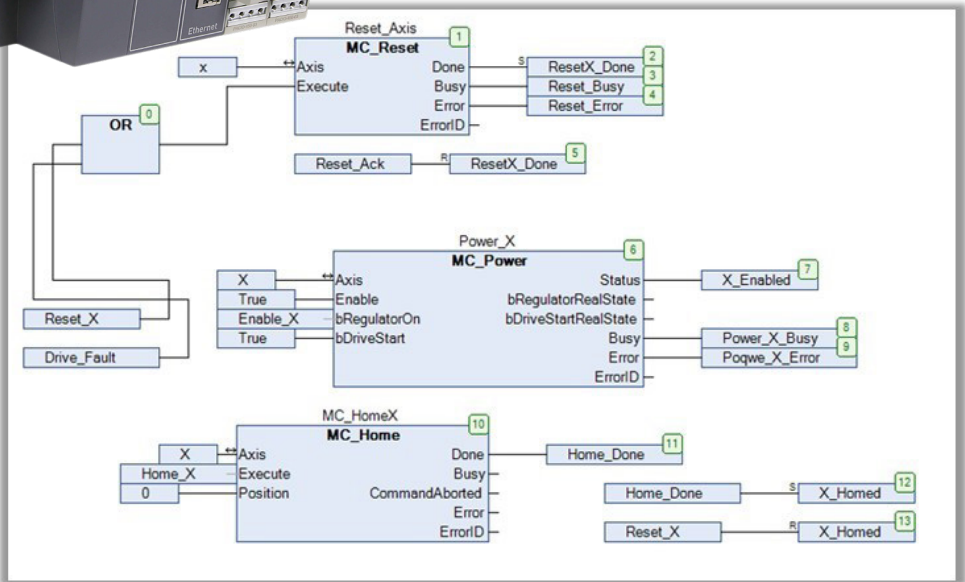
9:00 AM - 3:00 PM (Lunch is provided)

Dates & Register: www.automationinc.com/events



```
// Look for Button Press to leave Idle
IF Reset_X OR Drive_Fault THEN State := State_DUT.Reset; END_IF;
IF Enable_X THEN State := State_DUT.Enable; END_IF;
IF Home_X THEN State := State_DUT.Home; END_IF;
IF Manual_Jog THEN State := State_DUT.Manual; END_IF;

CASE State OF
  State_DUT.Idle:
    // Do nothing
    error or problem processing
  Idle:
  END_IF;
```



Automation, Inc.

www.automationinc.com | (763) 571-3336 | (800) 706-4775
Automation, Inc. 4830 Azelia Ave. North, Minneapolis, MN 55429